

**Frozen
 Frozen granita, creams and soft-ice
 cream dispenser with 2 bowls and touch
 screen**

ITEM # _____

MODEL # _____

NAME # _____

SIS # _____

AIA # _____


562517 (GT2TR290)

 Frozen Granita, Frozen
 Cream and Soft Ice Cream
 Dispenser with 2x5 l
 insulated bowls, Touch
 Screen , R290

Short Form Specification

Item No. _____

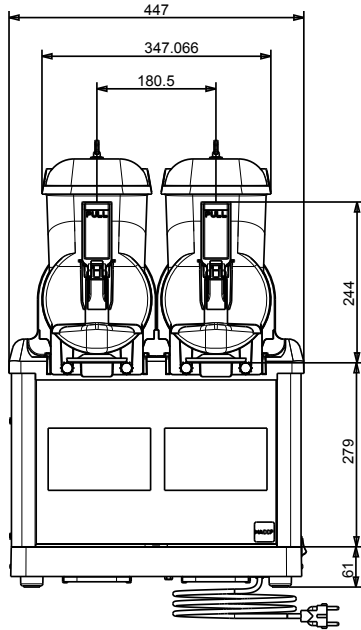
2x5lt bowl soft ice cream, frozen yogurt, chilled coffee cream, sherbet or slush dispenser. Can be used in specialised ice cream shops to dispense products specifically conceived for particular customer categories, like celiacs or people who are lactose intolerant. Producing ice-cream with this equipment prevents any contamination, as the bowls don't come into contact with other ingredients. The ITANK™ Technology prevents ice accumulation on the outer side of the bowl. Customizable touch screen display.

Main Features

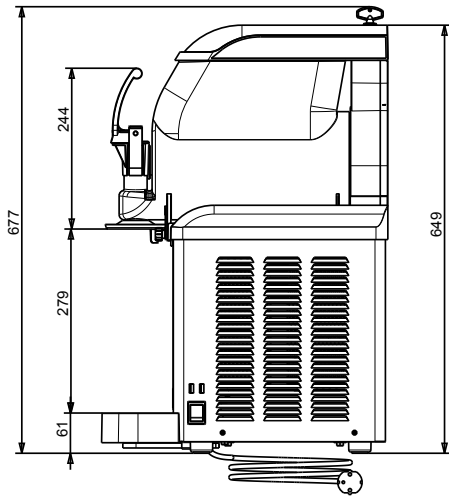
- Easy to use thanks to the adjustable push button control panel: when pressing it the rotation speed raises and the product is pushed out easily.
- Can dispense up to 5 products among soft ice cream, frozen yogurt, chilled coffee cream, sorbet or slush.
- Can be used in specialised ice cream shops to dispense products specifically conceived for particular customer categories, like celiacs or people who are lactose intolerant. Producing ice-cream with this equipment prevents any contamination, as the bowls don't come into contact with other ingredients.
- Ideal for bars, restaurants, hotels, cafeterias and catering companies for the production of delicious desserts and chilled specialties.
- The ITANK™ Technology prevents ice accumulation on the outer side of the bowl, reducing condensation and increasing the cooling power of the machine.
- Menu is available in Italian and English, but other languages can be programmed as well.
- Customizable touch screen display.

APPROVAL: _____

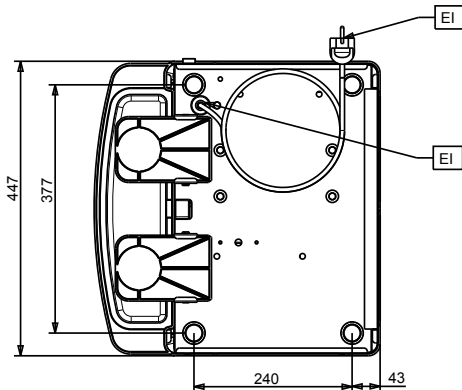
Front



Side



Top



Electric

Supply voltage:

562517 (GT2TR290) 220-240 V/1 ph/50 Hz

Electrical power max.:

0.6 kW

Key Information:

External dimensions, Width: 450 mm

External dimensions, Depth: 435 mm

External dimensions, Height: 650 mm

Net weight: 46 kg

Sustainability

Refrigerant type: R290

Refrigerant weight: 102 g